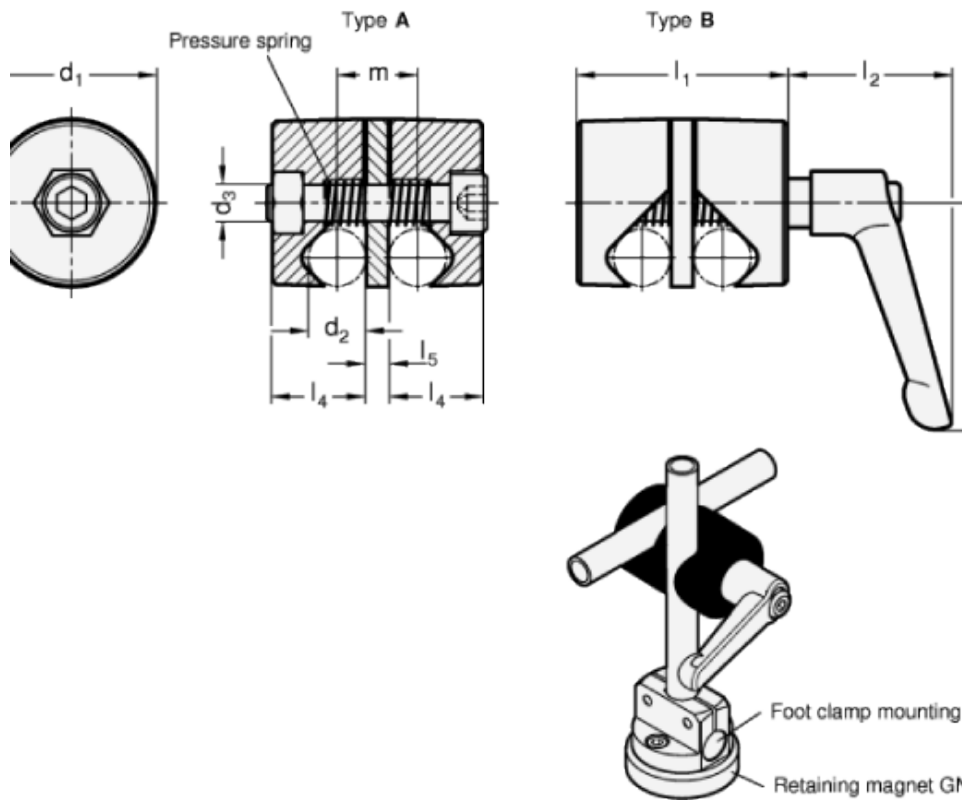


GN 490

Twistable two-way clamp mountings





technical informations

Material

Aluminium.

Finish

- Version MT: matte finish, slide ground.
- Version SW: RAL 9005 black colour, matte finish, epoxy resin coating

Standard versions available

- Type A: with cylinder head screw DIN 912.
- Type B: with adjustable clamping handles GN 300.1.

Hexagon nuts DIN 934

AISI 304 stainless steel.

Assembly

The standard clamping bolts are socket cap screws DIN 912 in AISI 304 stainless steel.

Adjustable clamping lever GN 300.1

- Zinc-die cast, plastic coated, silver RAL 9006, matte finish, epoxy resin coating.
- Insert / Distance bushing: AISI 303 stainless steel.

Features and applications

Twistable two-way clamp mountings GN 490 clamp the rods or tubes via a prism, allowing a greater \varnothing tolerance to be bridged. The pressure spring makes clamping and releasing easier.

Standard Elements	Main Dimensions									Weight
	d ₁	d ₂	d ₃	l ₁	l ₂	l ₃	l ₄	l ₅	m	
GN 490-28-8-A-MT	28	8	M6	33	-	-	14	5	13	52
GN 490-28-8-A-SW	28	8	M6	33	-	-	14	5	13	52
GN 490-32-10-A-MT	32	10	M8	45	-	-	20	5	15	96
GN 490-32-10-A-SW	32	10	M8	45	-	-	20	5	15	96
GN 490-36-12-A-MT	36	12	M8	47	-	-	21	5	17	118
GN 490-36-12-A-SW	36	12	M8	47	-	-	21	5	17	118
GN 490-46-16-A-MT	46	16	M10	57	-	-	27	6	22	224
GN 490-46-16-A-SW	46	16	M10	57	-	-	27	6	22	224
GN 490-28-8-B-MT	28	8	M6	33	35	45	14	5	13	80
GN 490-28-8-B-SW	28	8	M6	33	35	45	14	5	13	80
GN 490-32-10-B-MT	32	10	M8	45	45	63	20	5	15	172
GN 490-32-10-B-SW	32	10	M8	45	45	63	20	5	15	172
GN 490-36-12-B-MT	36	12	M8	47	45	63	21	5	17	195
GN 490-36-12-B-SW	36	12	M8	47	45	63	21	5	17	195
GN 490-46-16-B-MT	46	16	M10	57	55	78	27	6	22	354
GN 490-46-16-B-SW	46	16	M10	57	55	78	27	6	22	354



STANDARD MACHINE ELEMENTS WORLDWIDE